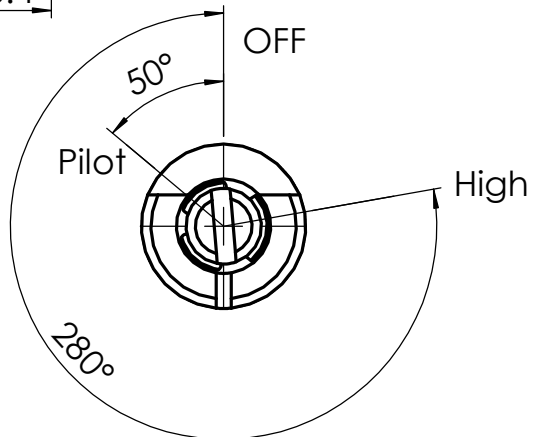
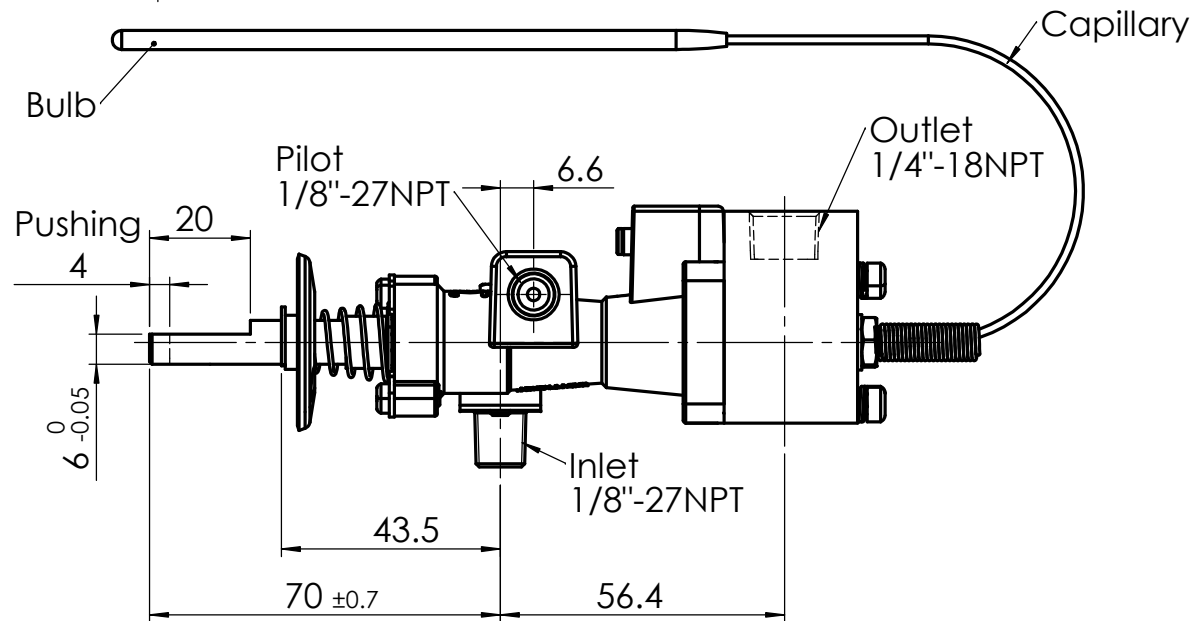
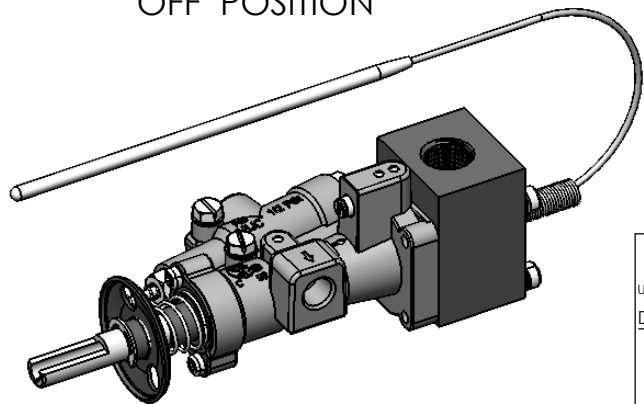


20.4



OFF POSITION



Pushing 20

4

6 -0.05

Pilot 1/8\"/>

6.6

Outlet 1/4\"/>

Inlet 1/8\"/>

43.5

70 ±0.7

56.4

Ø 8.7 -0.03

140.5

Ø 34.9

Thermocouple Connector
M8*P1.0
M9*P1.0
11/32\"/>

GENERAL TOLERANCES UNLESS OTHERWISE SPECIFIED

DEC PL	mm	[inch]
.X	±1	[±.039]
.XX	±0.5	[±.020]
.XXX	±0.2	[±.008]

Alpha Brass Controls Inc.
www.alphabrass.com

TITLE: Thermostat valve asm
PART NO. ABJC

DRAWN: KELLY DATE: 2015/12/3

AMOUNT: 1 MATERIAL: DWG NO.: REV. A

ANGLES ±1°
CHK'D/APPV'D: DATE: SCALE: 1:1.5 UNIT: mm SHEET 1 OF 1